

# AS2I45HE

**STANDARD MATERIALS AND CONSTRUCTION**

**FRAME:** .063" thick (nominal) extruded aluminum 6063-T52/T6 alloy.

**BLADE:** .063" thick (nominal) extruded aluminum 6063-T52/T6 alloy. Blades positioned at 45° angle, spaced approximately 2 3/4" on center with architectural hidden mullions.

**SUPPORTS:** Incorporated rear angle 2" x 2" x 1/4" extruded aluminum blade support to withstand windload of 20 PSF, approximately 90 mph wind. Spaced on 24" centers. Supports vary as required per wind load. Supports vary as required, per wind load. Consult the factory for more options.

**FINISH:** Mill

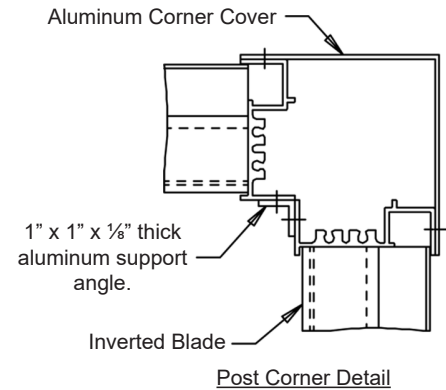
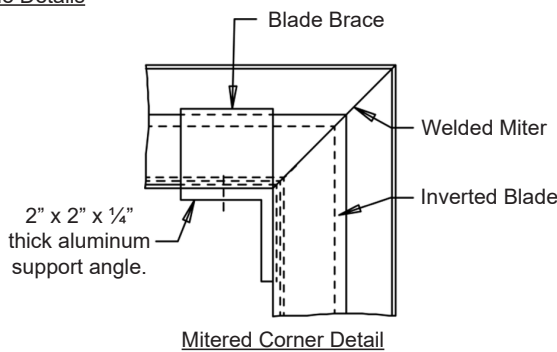
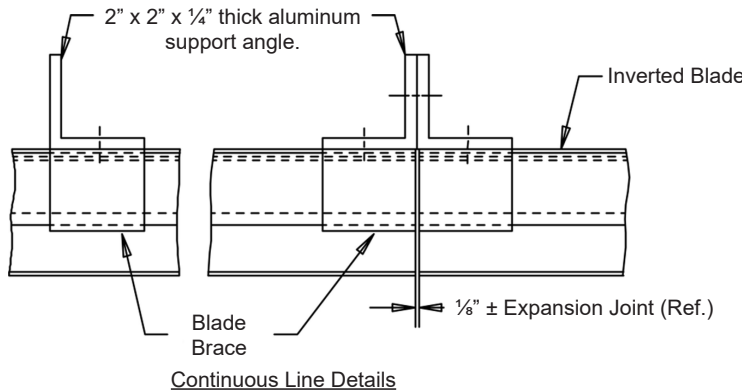
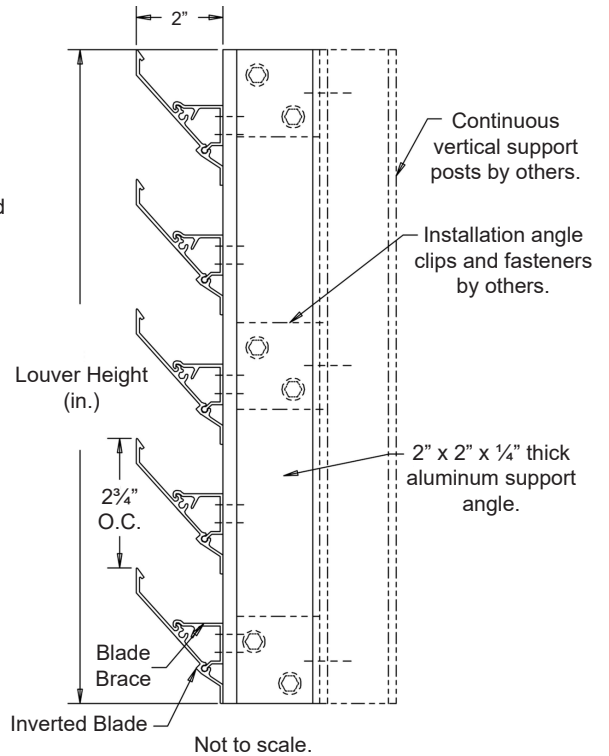
**OPTIONS**

Variations - Mitered Corner, Post Corner, Hinged Access, and Cap Covers.

Finishes - Kynar, Baked Enamel, Clear and Color Anodize (Consult the factory for details.)

**NOTES**

1. Maximum size should not exceed 60 sq. ft. or 120"W x 72"H. Louver sections larger than the factory maximum size will require field assembly of smaller sections.
2. Approximate shipping weight is 3.8 lbs./sq.ft.



Nominal Deductions will be made to the opening size given.

In the interest of product development, Airline Louvers reserves the right to make changes without notice.

<b>Item #</b>	<b>Qty</b>	Height	Width	<b>Mullion</b>	Mitered	Post	<b>Corner Type</b>		<b>Union Made</b>
		<b>Screen Size</b>			<b>Corner Type</b>				
<b>Arch. / Eng. :</b>				<b>EDR:</b>	<b>ECN:</b>	<b>Job:</b>			
<b>Contractor:</b>									
<b>Project:</b>				<b>Date:</b>	<b>DWN:</b>	<b>DWG:</b>			



# AS2I45HE

**FREE AREA TABLE**

Free Area (sq. ft.)

		Width (in.)									
		12"	24"	36"	48"	60"	72"	84"	96"	108"	120"
Height (in.)	12"	.23	.46	.69	.92	1.15	1.38	1.60	1.83	2.06	2.29
	24"	.69	1.38	2.06	2.75	3.44	4.13	4.81	5.50	6.19	6.88
	36"	1.26	2.52	3.78	5.04	6.30	7.56	8.82	10.08	11.34	12.60
	48"	1.72	3.44	5.16	6.88	8.59	10.31	12.03	13.75	15.47	17.19
	60"	2.18	4.35	6.53	8.71	10.89	13.06	15.24	17.42	19.59	21.77
	72"	2.75	5.50	8.25	11.00	13.75	16.50	19.25	22.00	24.75	27.50
	84"	3.21	6.42	9.63	12.83	16.04	19.25	22.46	25.67	38.88	32.08
	96"	3.67	7.33	11.00	14.67	18.33	22.00	25.67	29.33	33.00	36.67
	108"	4.24	8.48	12.72	16.96	21.20	25.44	29.68	33.92	38.16	42.40
	120"	4.70	9.40	14.09	18.79	23.49	28.19	32.89	37.58	42.28	46.98